

RIB

8.0 Series



Smart Own

De Dubai para el Mundo

www.smartown.ae | info@smartown.ae | +971 4 4438970



Características

Longitud total:

"sin motores"

26 pies 11 pulgadas (8.2 m)

Tamaño total de la viga:

8 pies 4 pulgadas (2.55 m)

Peso de la nave:

1,856 kg

Carga útil:

1,441 kg

Motores estándar:

Yamaha Outboard 2x150 HP

Velocidad Máxima:

50 nudos

Máxima potencia permitida:

2x250 HP

Máxima capacidad de combustible:

120 US gal (455 l)

Máx. pasajeros:

12 personas

Compartimentos herméticos:

5

Tejidos para tubos de flotabilidad:

Hypalon 1670 DTEX

Materiales del casco y la cubierta:

GRP

Clasificación: (Certificación CE)

B

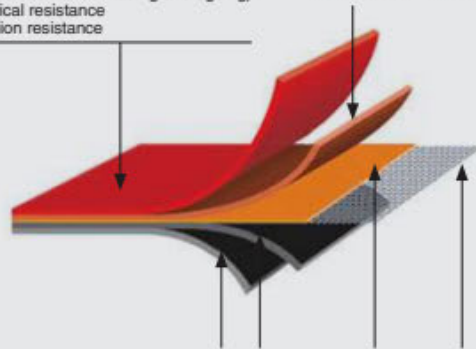
**HYPALON COLLAR

ASIS uses the finest quality material to manufacture and produce all of its products. Only Hypalon™ is used in the manufacture of the ASIS tube.

Outside CSM layer gives:

- > weather resistance - fading and ageing)
- > chemical resistance
- > abrasion resistance

Layer of Neoprene in between the CSM and the textile.



Inside Neoprene sheets give:

- > high gluability and reliable adhesion
- > air tightness (no air in the high textile)

High Tenacity Textile give:

- > basic mechanical properties (tensile and tear strengths)
- > dimensional stability

Page 1 / 2

 Marine & Offshore

Certificate number: 16098/CO BV
File number: FAB 2017/08
Product code: 9087H

This certificate is not valid when presented without the full attached schedule composed of 7 sections.
www.veritas.com

TYPE APPROVAL CERTIFICATE

This certificate is issued to:
PENNEL & FLIPO
MOUSCRON - BELGIUM

for the type of product:
PROOFED FABRICS FOR RESCUE BOAT
DRCA 886 Polyester High Tenacity 1670 class - 1500 deniers
Coated fabrics for professional, military and rescue boat

Requirements:
ISO15378:2000

This certificate is issued to attest that Bureau Veritas Marine & Offshore did undertake the relevant approval procedures for the product identified above which was found to comply with the relevant requirements mentioned above.

This certificate will expire on: 01 Jun 2022

For Bureau Veritas Marine & Offshore,
At BV ANTWERP, on 01 Jun 2017,
Nelle Appels

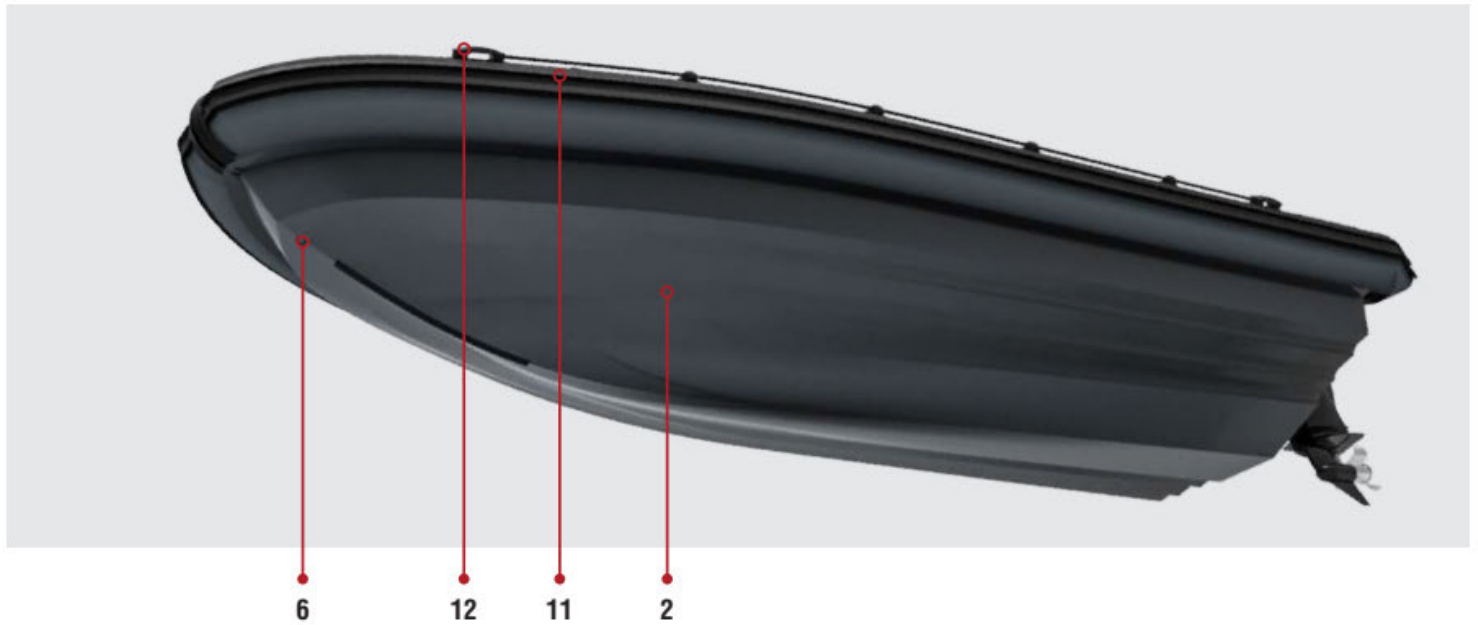
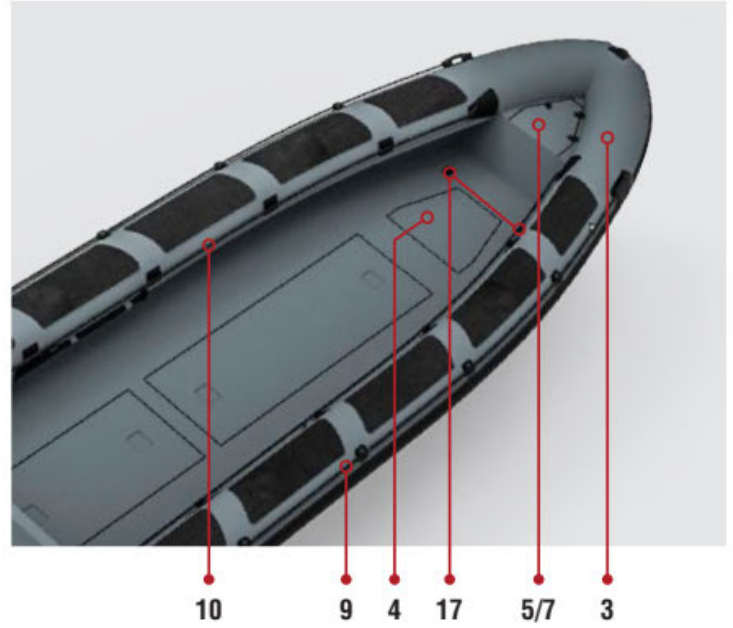
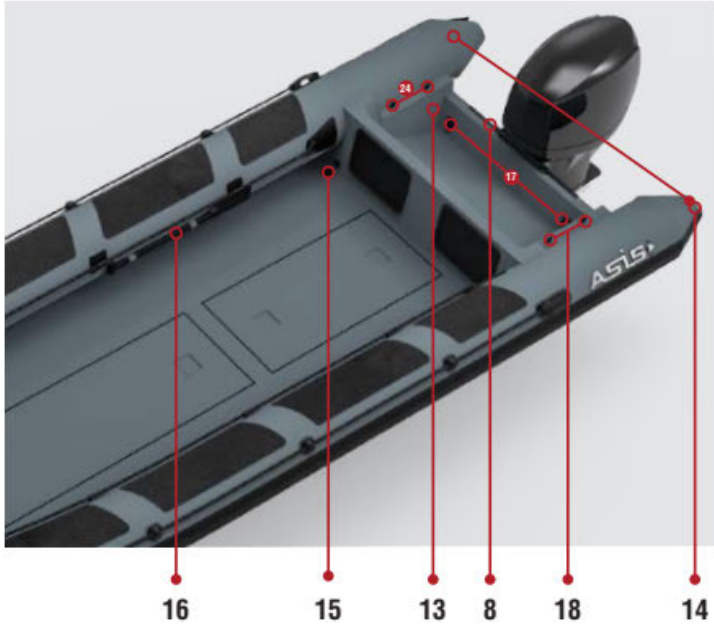
This certificate remains valid until the date stated above, unless cancelled or revoked, provided the conditions indicated in the subsequent page(s) are complied with and the product remains satisfactory in service. This certificate will not be valid if the applicant notifies any changes or modifications to the approved product, which have not been notified to, and agreed in writing with Bureau Veritas Marine & Offshore. Should the specified regulations or standards be amended during the validity of this certificate, the product holder is to be approved prior to being being placed on board vessels to which the approved regulations or standards apply. This certificate is issued within the scope of the General Conditions of Bureau Veritas Marine & Offshore available on the internet site www.veritas.com. Any Person not a party to the contract pursuant to which this document is delivered may not assert a claim against Bureau Veritas Marine & Offshore for any liability arising out of errors or omissions which may be contained in said document, or be aware of judgement, fault or negligence committed by personnel of the Society or of its Agents in establishment or issuance of this document, and in connection with any activities for which it may provide.

The electronic version is available at: http://www.veritas.com/veritas/bvpp/ViewPublicPdf?com_pag/60-3ag/0newor
BV Mod. Act E ISO June 2007

This certificate consists of 2 page(s)

RIB 8.0 Series

Equipamiento estándar



#	STANDARD EQUIPMENT
1	Heavy Duty Structure
2	Custom Color Fiberglass
3	Tube Material Heavy Duty Hypalon 1670 DTEX
4	Under-Deck Storage 3Nos
5	Anchor Locker
6	Bow U Bolt 1No. & Towing Rings 2Nos.
7	Stainless Steel Eye Nut Inside The Anchor Box
8	Stainless Steel Transom Strip
9	External Safety Rope Grab Line
10	Internal Safety Rope Grab Line
11	Large Profile All-Around Double or Triple Rubbing Strake
12	Moulded Handles 4Nos.

#	STANDARD EQUIPMENT
13	Engine Pit
14	Reinforced Cone Ends 2Nos. 2Nos.
15	Self Draining Deck
16	Paddles 2Nos.
17	S.S Heavy Duty Lifting Points (2Nos. on Front & 2Nos. on Back)
18	Stainless Steel Base Pin Connection for A Frame
	<ul style="list-style-type: none"> • Stainless Steel 316L Fuel Tank with Gauge and Sender • Air Pump • Repair Kit • Automatic Bilge Pumps 2Nos. with Float Switch • Navigation and Anchor Light • Switch Panel

RIB 8.0 Series

Certificación CE



EXAMINATION REPORT STABILITY & BUOYANCY

CERTIFICATE NUMBER -06-10-0913-

Annex I

Main particulars of Certified product

Lh: Length of hull (ISO 8666) : 7.70 [m]
Bh: Beam of hull (ISO 8666) : 2.53 [m]
T: Maximum draft fully loaded : 0.2 [m] without outboard
Δ: Displacement fully loaded : 3352 [kg]
P: Maximum engine power : 2 x 183.5 [kw]
Maximum engine weight : 600 [kg]
No. of compartments : 5

Tank capacities

Total fuel tank capacity : 250/655 [ltr]
Total fresh water tank capacity : - [ltr]
Total black water tank capacity : - [ltr]

The Certified product has been assessed on basis of the following

Documentation as in ECB file: ASD-0545/ MAC-0545
Technical Construction File, kept by Applicant.
Final reports: MAC-0545 date 12-04-2001; 170322 modifications ASD-0545

Information on builders plate of Certified product

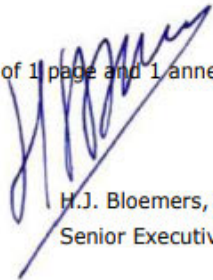
Manufacturers name and address : See page 1
Marking: CE
Design category: B
Recommended maximum nr. of persons : 15
Recommended maximum load: 2000 kg (persons, stores, outboard engines)

List of Essential requirements and related relevant parts of the Technical Documentation (reference to relevant articles in Annex IA & IC of the Directive)	remarks
General requirements (2)	EN ISO 8666:2002
Stability and freeboard (3.2)	EN ISO 6185-3:2014
Buoyancy and floatation (3.3)	EN ISO 6185-3:2014 EN ISO 14946:2001

This certificate consists of 1 page and 1 annex

For ECB Nederland,

Signature
name
function


H.J. Bloemers, B. Eng
Senior Executive



ECB Nederland www.ecb.nl +31(0)299 323123 info@ecb.nl

RIB 8.0 Series

Ejemplos de configuración

Transportación



RIB 8.0 Series

Ejemplos de configuración

Fuerzas de seguridad



RIB 8.0 Series

Ejemplos de Configuración

Militar fluvial



RIB 8.0 Series



Smart Own

De Dubai para el Mundo

www.smartown.ae | info@smartown.ae | +971 4 4438970

