

RIB

6.5 Series



Smart Own

Do Dubai para o Mundo

www.smartown.ae | info@smartown.ae | +971 4 4438970

Características

Comprimento Total:

motores não incluídos
6,7 m (22 ft)

Largura Total:

2,52 m (8 ft 3 in)

Peso do Barco Semirrígido:

1.369 kg

Carga Útil:

1.185 kg

Motores de Série:

Yamaha, de popa, 150 CV

Velocidade Máxima:

50 nós

Potência Máxima Permitida:

250 CV

Depósito de Combustível:

380 l (100 US gal)

Lotação máxima:

6 pessoas

Compartimentos estanques:

5

Material dos Tubos de Flutuação:

Hypalon 1670 DTEX

Material do Casco e Convés:

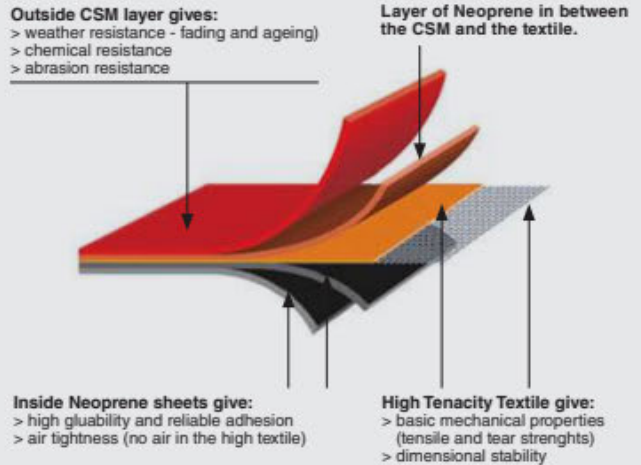
PRFV

Classe: (Aprovação CE)

B

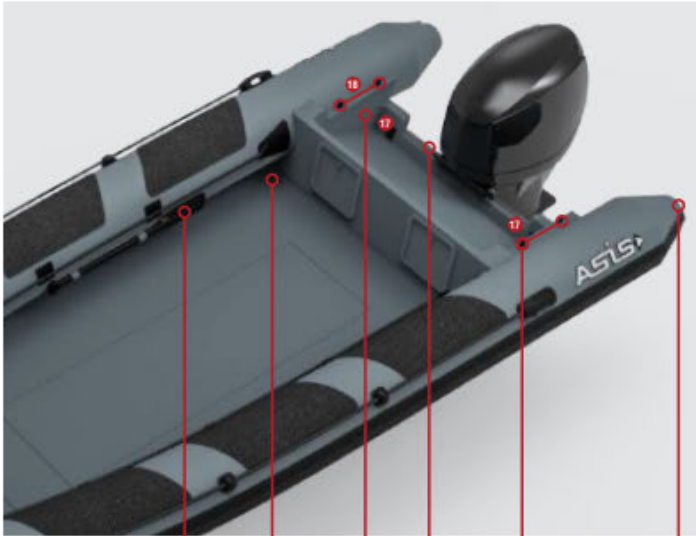
**HYPALON COLLAR

ASIS uses the finest quality material to manufacture and produce all of its products. Only Hypalon™ is used in the manufacture of the ASIS tube.

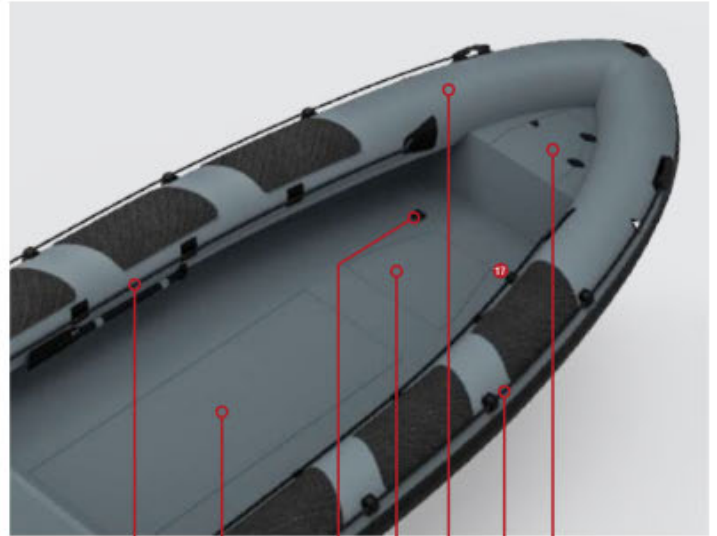


RIB 6.5 Series

Equipamento de Série



16 15 13 8 18 14



10 04 17 04 3 09 5/7



6 12 11 2

#	STANDARD EQUIPMENT
1	Heavy Duty Structure
2	Custom Color Fiberglass
3	Tube Material Heavy Duty Hypalon 1670 DTEX
4	Under-Deck Storage 2Nos.
5	Anchor Locker
6	Bow U Bolt 1No. & Towing Rings 2Nos.
7	Stainless Steel Eye Nut Inside The Anchor Box
8	Stainless Steel Transom Strip
9	External Safety Rope Grab Line
10	Internal Safety Rope Grab Line
11	Large Profile All-Around Double or Triple Rubbing Strake
12	Moulded Handles 4Nos.

#	STANDARD EQUIPMENT
13	Engine Pit
14	Reinforced Cone Ends 2Nos.
15	Self Draining Deck
16	Paddles 2Nos.
17	S.S Heavy Duty Lifting Points (2Nos. on Front & 2Nos on Back)
18	Stainless Steel Base Pin Connection for A Frame
	• Stainless Steel 316L Fuel Tank with Gauge and Sender
	• Air Pump
	• Repair Kit
	• Automatic Bilge Pumps 2Nos. with Float Switch
	• Navigation and Anchor Light
	• Switch Panel

RIB 6.5 Series

Certificação CE

Job Id: **341.3-000633-1**
Report No: **RCDA100001KS**
Revision No: **1**

APPENDIX, REV. NO. 1

The product is found to comply with the following product information

Type designation:	ASIS Professional 6.5 m RHIB
Type of craft:	RIB
Model code*:	AE-SOLC659
Length of hull (Lh), m:	6.50
Beam of hull (Bh), m:	2.46
Draft (sailing boats), m:	

*First characters of the WIN code.

Design category:	B
Maximum number of persons, CL:	9
Maximum engine power, prop. shaft, kW:	224
Maximum load (m _{MTL}), kg:	1800
Maximum load as stated on Builder's Plate, kg: (Including outboard engine)	1800

Based on the following documentation
Test report(s):

NPS Job ID 341.3-000633-1

Exemplos de Configuração

Mergulho, lazer



RIB 6.5 Series

Exemplos de Configuração

Militar, resgate



RIB 6.5 Series



Smart Own

Do Dubai para o Mundo

www.smartown.ae | info@smartown.ae | +971 4 4438970

