

# RIB

## 6.5 Series



*Smart Own*

**De Dubai para el Mundo**

[www.smartown.ae](http://www.smartown.ae) | [info@smartown.ae](mailto:info@smartown.ae) | +971 4 4438970

# Características

## Longitud total:

"sin motores"

22 pies (6.7 m)

## Tamaño total de la viga:

8 pies 3 pulgadas (2.52 m)

## Peso de la nave:

1,369 kg

## Carga útil:

1,185 kg

## Motores estándar:

Yamaha Outboard 150HP

## Velocidad máxima:

50 nudos

## Máxima potencia permitida:

250 HP

## Máxima capacidad de combustible:

100 US gal (380 l)

## Número máx. pasajeros:

6 personas

## Compartimentos herméticos:

5

## Tejidos para tubos de flotabilidad:

Hypalon 1670 DTEX

## Materiales del casco y la cubierta:

GRP

## Clasificación: (Certificación CE)

B

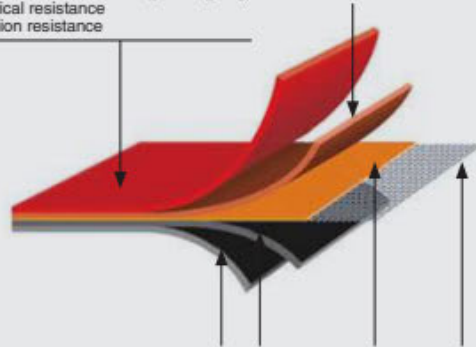
## \*\*HYPALON COLLAR

ASIS uses the finest quality material to manufacture and produce all of its products. Only Hypalon™ is used in the manufacture of the ASIS tube.

### Outside CSM layer gives:

- > weather resistance - fading and ageing)
- > chemical resistance
- > abrasion resistance

### Layer of Neoprene in between the CSM and the textile.



### Inside Neoprene sheets give:

- > high gluability and reliable adhesion
- > air tightness (no air in the high textile)

### High Tenacity Textile give:

- > basic mechanical properties (tensile and tear strengths)
- > dimensional stability

Page 1 / 2

 Marine & Offshore

Certificate number: 16098/CO BV  
File number: FAB 2017/08  
Product code: 9087H

This certificate is not valid when presented without the full attached schedule composed of 7 sections.  
www.veritas.com

### TYPE APPROVAL CERTIFICATE

This certificate is issued to:  
**PENNEL & FLIPO**  
MOUSCRON - BELGIUM

for the type of product:  
**PROOFED FABRICS FOR RESCUE BOAT**  
DRCA 886 Polyester High Tenacity 1670 class - 1500 deniers  
Coated fabrics for professional, military and rescue boat

Requirements:  
ISO15378:2000

This certificate is issued to attest that Bureau Veritas Marine & Offshore did undertake the relevant approval procedures for the product identified above which was found to comply with the relevant requirements mentioned above.

**This certificate will expire on: 01 Jun 2022**

For Bureau Veritas Marine & Offshore,  
At BV ANTWERP, on 01 Jun 2017,  
Nelle Appels

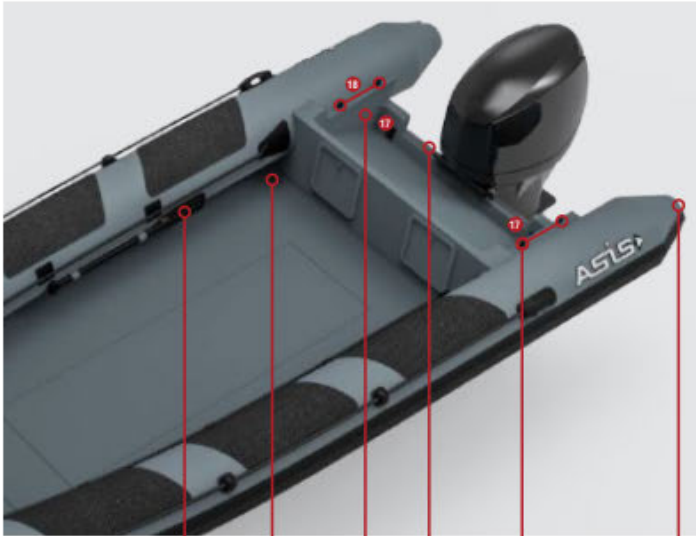
This certificate remains valid until the date stated above, unless cancelled or recalled, provided the conditions indicated in the subsequent page(s) are complied with and the product remains satisfactory in service. This certificate will not be valid if the applicant notifies any changes or modifications to the approved product, which have not been notified to, and agreed in writing with Bureau Veritas Marine & Offshore. Should the specified regulations or standards be amended during the validity of this certificate, the producting holder is to be approved prior to being being placed on board vessels to which the approved regulations or standards apply. This certificate is issued within the scope of the General Conditions of Bureau Veritas Marine & Offshore available on the internet site www.veritas.com. Any Person not a party to the contract pursuant to which this document is delivered may not assert a claim against Bureau Veritas Marine & Offshore for any liability arising out of errors or omissions which may be contained in said document, or be aware of judgement, fault or negligence committed by personnel of the Society or of its Agents in establishment or issuance of this document, and in connection with any activities for which it may provide.

The electronic version is available at: [http://www.veritas.com/veritaswebapp/ViewPublicPdf?com\\_id=16098/CO/BV](http://www.veritas.com/veritaswebapp/ViewPublicPdf?com_id=16098/CO/BV)  
BV Mod. Act E ISO June 2017

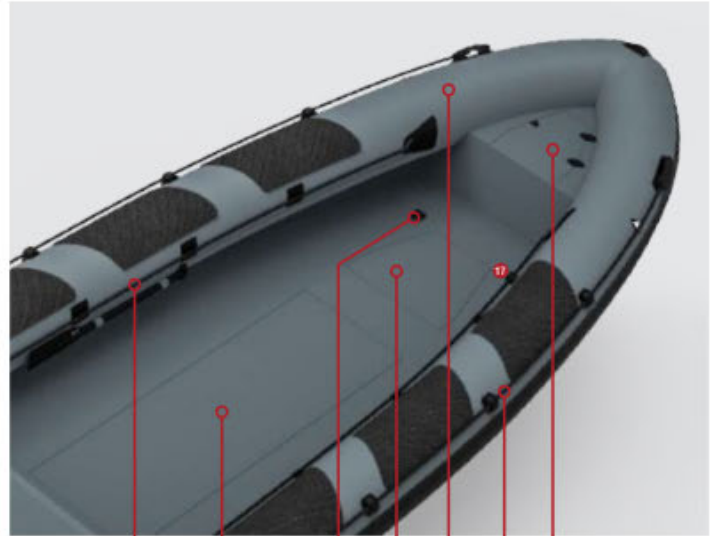
This certificate consists of 2 page(s)

RIB 6.5 Series

# Equipamiento estándar



16 15 13 8 18 14



10 04 17 04 3 09 5/7



6 12 11 2

#	STANDARD EQUIPMENT
1	Heavy Duty Structure
2	Custom Color Fiberglass
3	Tube Material Heavy Duty Hypalon 1670 DTEX
4	Under-Deck Storage 2Nos.
5	Anchor Locker
6	Bow U Bolt 1No. & Towing Rings 2Nos.
7	Stainless Steel Eye Nut Inside The Anchor Box
8	Stainless Steel Transom Strip
9	External Safety Rope Grab Line
10	Internal Safety Rope Grab Line
11	Large Profile All-Around Double or Triple Rubbing Strake
12	Moulded Handles 4Nos.

#	STANDARD EQUIPMENT
13	Engine Pit
14	Reinforced Cone Ends 2Nos.
15	Self Draining Deck
16	Paddles 2Nos.
17	S.S Heavy Duty Lifting Points (2Nos. on Front & 2Nos on Back)
18	Stainless Steel Base Pin Connection for A Frame
	• Stainless Steel 316L Fuel Tank with Gauge and Sender
	• Air Pump
	• Repair Kit
	• Automatic Bilge Pumps 2Nos. with Float Switch
	• Navigation and Anchor Light
	• Switch Panel

RIB 6.5 Series

# Certificación CE

Job Id: **341.3-000633-1**  
Report No: **RCDA100001KS**  
Revision No: **1**

## APPENDIX, REV. NO. 1

The product is found to comply with the following product information

<b>Type designation:</b>	<b>ASIS Professional 6.5 m RHIB</b>
<b>Type of craft:</b>	RIB
<b>Model code*:</b>	AE-SOLC659
<b>Length of hull (Lh), m:</b>	6.50
<b>Beam of hull (Bh), m:</b>	2.46
<b>Draft (sailing boats), m:</b>	

\*First characters of the WIN code.

<b>Design category:</b>	B
<b>Maximum number of persons, CL:</b>	9
<b>Maximum engine power, prop. shaft, kW:</b>	224
<b>Maximum load (m<sub>MTL</sub>), kg:</b>	1800
<b>Maximum load as stated on Builder's Plate, kg: (Including outboard engine)</b>	1800

Based on the following documentation  
Test report(s):

NPS Job ID 341.3-000633-1

# Ejemplos de configuración

Buceo, ocio



RIB 6.5 Series

# Ejemplos de configuración

Militar, rescate



RIB 6.5 Series



*Smart Own*

**De Dubai para el Mundo**

[www.smartown.ae](http://www.smartown.ae) | [info@smartown.ae](mailto:info@smartown.ae) | +971 4 4438970

