

# RIB

## 9.5 Series



*Smart Own*

**From Dubai to the World**

[www.smartown.ae](http://www.smartown.ae) | [info@smartown.ae](mailto:info@smartown.ae) | +971 4 4438970



# Characteristics

## Length Overall:

without engines  
31 ft 10 in (9.7 m)

## Beam Overall:

10 ft 5 in (3.17 m)

## Lightship Weight:

2.580 kg

## Payload:

1,950 kg

## Standard Engines:

Yamaha Outboard 2x250 HP

## Max Speed:

50 knots

## Max Power Allowed:

2x400 HP

## Max Fuel Capacity:

197 US gal (746 l)

## Max No. of Pax:

16 persons

## Airtight Compartments:

7

## Buoyancy Tube Fabrics:

Hypalon 1670 DTEX

## Hull and Deck Materials:

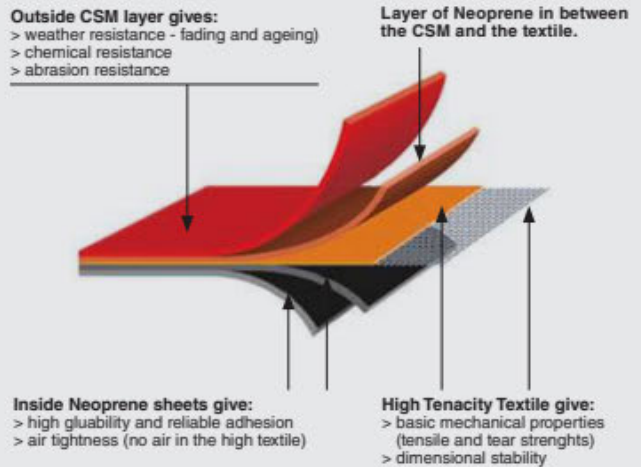
GRP

## Classification: (CE Approval)

B

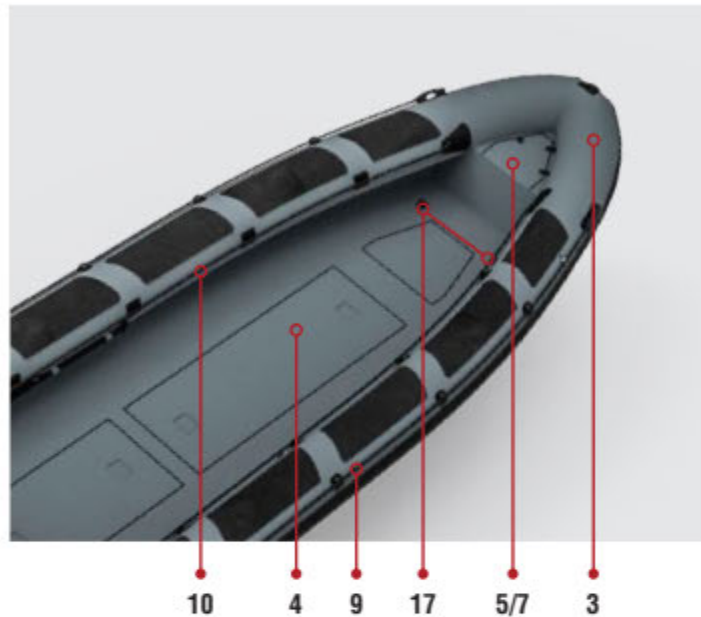
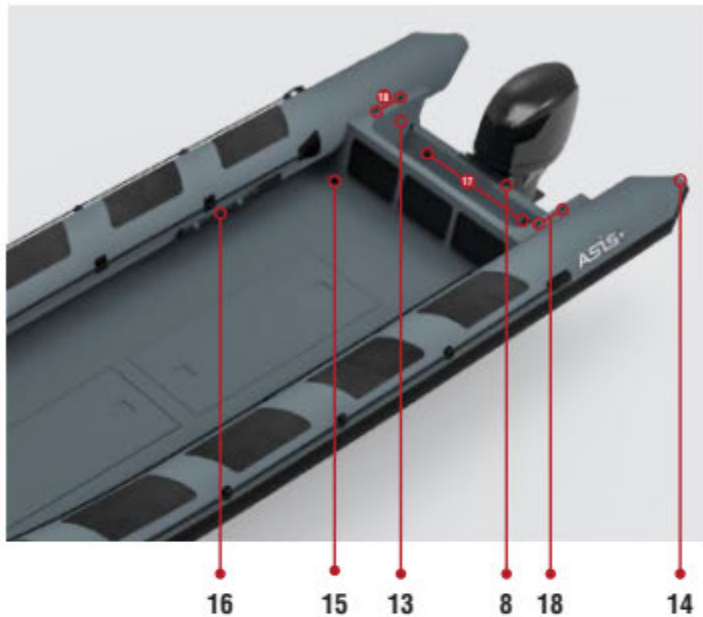
## \*\*HYPALON COLLAR

ASIS uses the finest quality material to manufacture and produce all of its products. Only Hypalon™ is used in the manufacture of the ASIS tube.



RIB 9.5 Series

# Standard Equipment



#	STANDARD EQUIPMENT
1	Heavy Duty Structure
2	Custom Color Fiberglass
3	Tube Material Heavy Duty Hypalon 1670 DTEX
4	Under-Deck Storage 3Nos
5	Anchor Locker
6	Bow U Bolt 1No. & Towing Rings 2Nos.
7	Stainless Steel Eye Nut Inside The Anchor Box
8	Stainless Steel Transom Strip
9	External Safety Rope Grab Line
10	Internal Safety Rope Grab Line
11	Large Profile All-Around Double or Triple Rubbing Strake
12	Moulded Handles 4Nos.

#	STANDARD EQUIPMENT
13	Engine Pit
14	Reinforced Cone Ends 2Nos.
15	Self Draining Deck
16	Paddles 2Nos.
17	S.S Heavy Duty Lifting Points (2Nos. on Front & 2Nos. on Back)
18	Stainless Steel Base Pin Connection for A Frame
	<ul style="list-style-type: none"> <li>Stainless Steel 316L Fuel Tank with Gauge and Sender</li> <li>Air Pump</li> <li>Repair Kit</li> <li>Automatic Bilge Pumps 2Nos. with Float Switch</li> <li>Navigation and Anchor Light</li> <li>Switch Panel</li> </ul>

RIB 9.5 Series

# CE Certification



**Direttiva Europea 2003/44/CE - Modulo Aa - "Examination report"**  
*European Directive 2003/44/EC - Module Aa - "Examination report"*  
**N. DIP034612WE/001**

**Allegato - Pagina 1/1**  
*Enclosure - Page 1 of 1*

## ASIS 9.5 M

<b>ASIS BOATS LLC.</b>	<b>JEBEL ALI - 61426 DUBAI - UNITED ARAB EMIRATES</b>
------------------------	---

<b>Lunghezza</b> <i>Length</i>	(Lh)	<b>9.27</b>	(m)
<b>Larghezza</b> <i>Beam</i>	(Bh)	<b>3.17</b>	(m)
<b>Altezza di costruzione</b> <i>Depth</i>	(Ds)	<b>1.25</b>	(m)
<b>Dislocamento</b> <i>Displacement</i>	(mLDC)	<b>3.26</b>	(t)
<b>Materiale dello scafo</b> <i>Material of the hull</i>		<b>TESSUTO GOMMATO</b> <b>RUBBER MATERIAL</b>	
<b>Propulsione</b> <i>Propulsion</i>		<b>a motore</b> <b>powered</b>	
<b>Comando timone</b> <i>Steering control</i>		<b>a distanza</b> <b>remote</b>	
<b>Numero dei motori installati</b> <i>Number of engines</i>		-	
<b>Tipo di motori installati</b> <i>Type of engines</i>		-	
<b>Potenza massima di esercizio</b> <i>Maximum power</i>		-	kW
<b>Tipo combustibile</b> <i>Type of fuel</i>		-	
<b>Numero massimo persone trasportabili</b> <i>Maximum n° of persons permitted on board</i>		<b>15</b>	
<b>Portata/carico massimo raccomandato dal costruttore (comprensiva delle persone), da riportare sulla "Targhetta del costruttore"</b> <i>Manufacturer's maximum recommended load (including all persons), to be shown on "Builder's Plate"</i>		<b>1500 kg (*)</b>	Kg
<b>Categoria di progettazione</b> <i>Design category</i>		<b>B</b>	

<b>Note</b> <i>Notes</i>	<ul style="list-style-type: none"><li>- Documentazione tecnica esaminata in forma completa il 17-12-2012.</li><li>- L'examination report n° 2012/WE/01/346 dettaglia le Norme/Standards di riferimento applicabili.</li><li>- Unità provvista di carena in PRFV.</li><li>- (*) Per le unità munite di motore F.B., la portata massima dovrà comprendere anche la massa dei motori.</li><li>- Il presente certificato sostituisce il precedente per la sola variazione del numero massimo delle persone trasportabili.</li> <li>- Examination of technical file completed on 17-12-2012.</li><li>- Examination report n. 2012/WE/01/346 lists the relevant applicable Rules/Standards.</li><li>- Hull bottom in FRP.</li><li>- (*) For boats with outboard engines, maximum load shall include the engines' weight.</li><li>- This certificate replaces the previous one for the variation of the maximum number on persons permitted on board only.</li></ul>
-----------------------------	---

**Genova 17 Dicembre 2012**  
*Genoa December 17, 2012*

RINA  
Via Corsica, 12 - 16128 Genova - Italia  
Tel. +39 010 53851  
Fax. +39 010 5351000

RIB 9.5 Series



# Configuration Samples

## Transporter



RIB 9.5 Series

# Configuration Samples

Military, Anti-Piracy



RIB 9.5 Series



# Configuration Samples

Rescue, Marina Operations



RIB 9.5 Series



*Smart Own*

**From Dubai to the World**

[www.smartown.ae](http://www.smartown.ae) | [info@smartown.ae](mailto:info@smartown.ae) | +971 4 4438970

