

RIB

6.5 Series



Smart Own

From Dubai to the World

www.smartown.ae | info@smartown.ae | +971 4 4438970

Characteristics

Length Overall:

without engines
22 ft (6.7 m)

Beam Overall:

8 ft 3 in (2.52 m)

Lightship Weight:

1,369 kg

Payload:

1,185 kg

Standard Engines:

Yamaha Outboard 150HP

Max Speed:

50 knots

Max Power Allowed:

250 HP

Max Fuel Capacity:

100 US gal (380 l)

Max No. of Pax:

6 persons

Airtight Compartments:

5

Buoyancy Tube Fabrics:

Hypalon 1670 DTEX

Hull and Deck Materials:

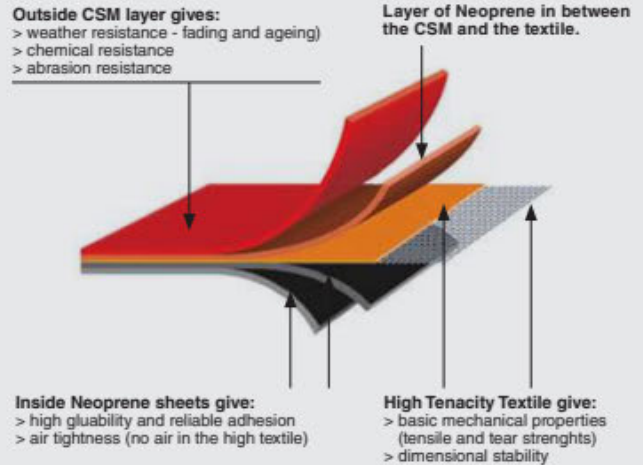
GRP

Classification: (CE Approval)

B

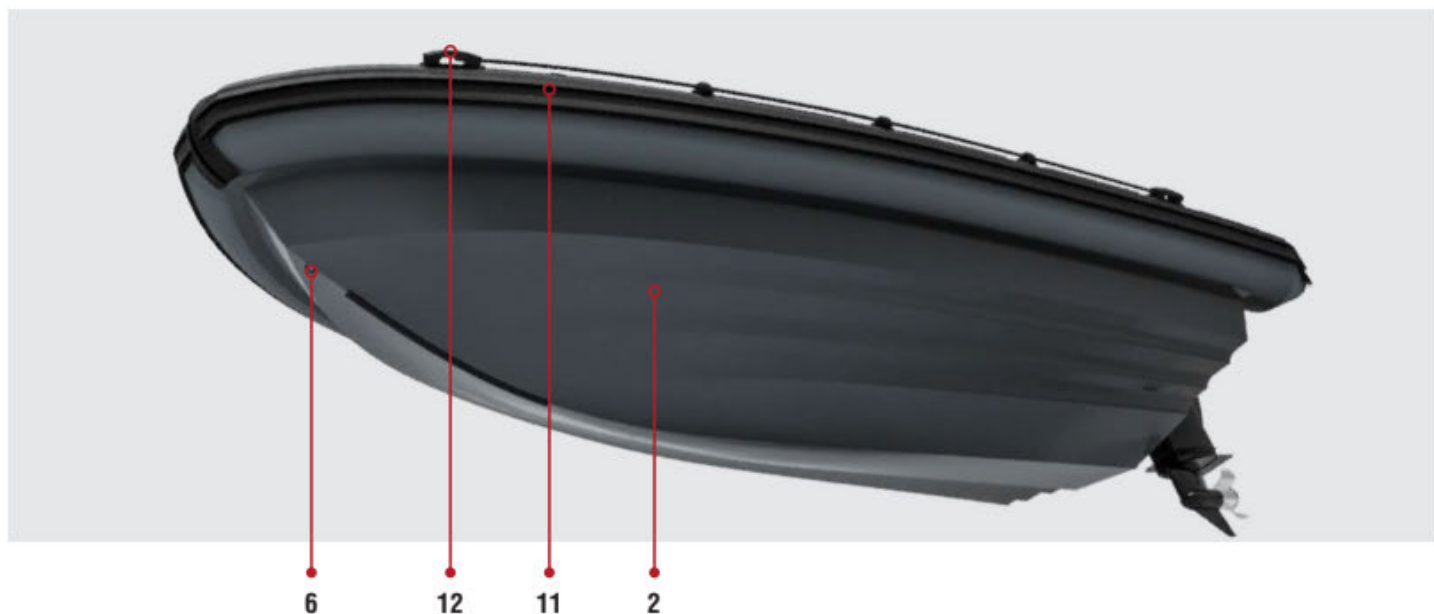
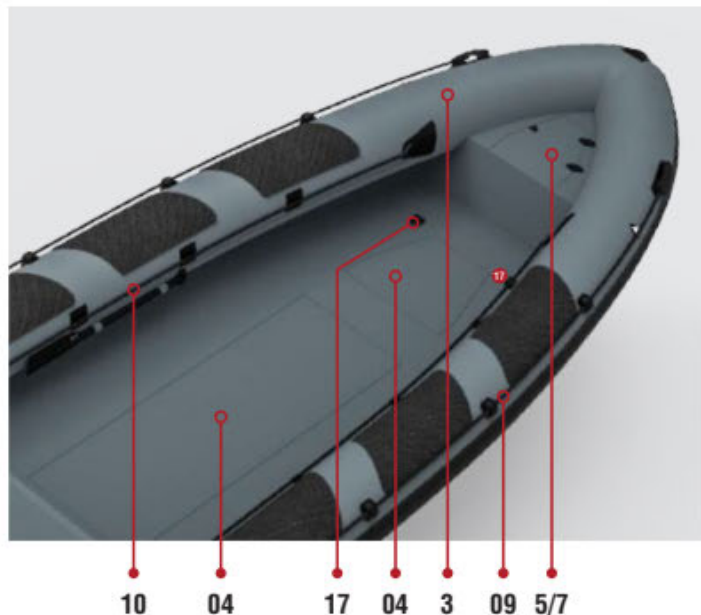
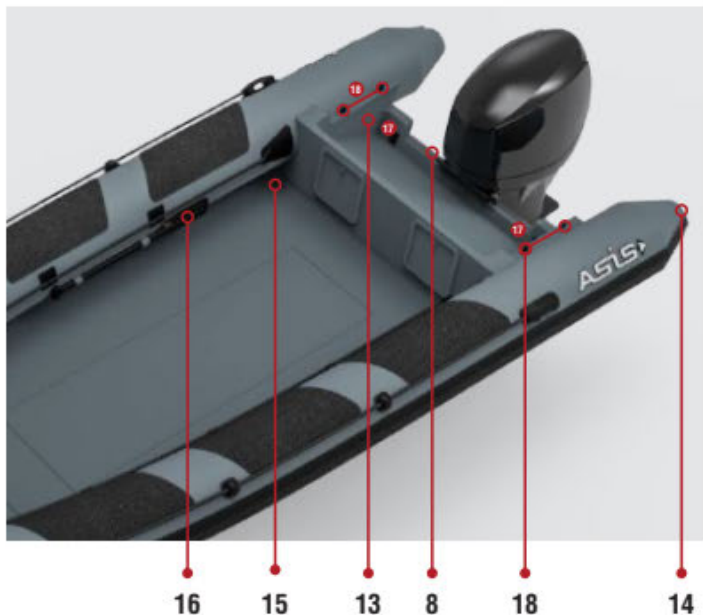
**HYPALON COLLAR

ASIS uses the finest quality material to manufacture and produce all of its products. Only Hypalon™ is used in the manufacture of the ASIS tube.



RIB 6.5 Series

Standard Equipment



#	STANDARD EQUIPMENT
1	Heavy Duty Structure
2	Custom Color Fiberglass
3	Tube Material Heavy Duty Hypalon 1670 DTEX
4	Under-Deck Storage 2Nos.
5	Anchor Locker
6	Bow U Bolt 1No. & Towing Rings 2Nos.
7	Stainless Steel Eye Nut Inside The Anchor Box
8	Stainless Steel Transom Strip
9	External Safety Rope Grab Line
10	Internal Safety Rope Grab Line
11	Large Profile All-Around Double or Triple Rubbing Strake
12	Moulded Handles 4Nos.

#	STANDARD EQUIPMENT
13	Engine Pit
14	Reinforced Cone Ends 2Nos.
15	Self Draining Deck
16	Paddles 2Nos.
17	S.S Heavy Duty Lifting Points (2Nos. on Front & 2Nos on Back)
18	Stainless Steel Base Pin Connection for A Frame
	• Stainless Steel 316L Fuel Tank with Gauge and Sender
	• Air Pump
	• Repair Kit
	• Automatic Bilge Pumps 2Nos. with Float Switch
	• Navigation and Anchor Light
	• Switch Panel

RIB 6.5 Series

CE Certification

Job Id: **341.3-000633-1**
Report No: **RCDA100001KS**
Revision No: **1**

APPENDIX, REV. NO. 1

The product is found to comply with the following product information

Type designation:	ASIS Professional 6.5 m RHIB
Type of craft:	RIB
Model code*:	AE-SOLC659
Length of hull (Lh), m:	6.50
Beam of hull (Bh), m:	2.46
Draft (sailing boats), m:	

*First characters of the WIN code.

Design category:	B
Maximum number of persons, CL:	9
Maximum engine power, prop. shaft, kW:	224
Maximum load (m _{MTL}), kg:	1800
Maximum load as stated on Builder's Plate, kg: (Including outboard engine)	1800

Based on the following documentation
Test report(s):

NPS Job ID 341.3-000633-1

Configuration Samples

Dive, Leisure



RIB 6.5 Series

Configuration Samples

Military, Rescue



RIB 6.5 Series



Smart Own

From Dubai to the World

www.smartown.ae | info@smartown.ae | +971 4 4438970

