

# RIB 12 Series



*Smart Own*

**From Dubai to the World**

[www.smartown.ae](http://www.smartown.ae) | [info@smartown.ae](mailto:info@smartown.ae) | +971 4 4438970

# Characteristics

## Length Overall:

without engines  
40 ft (12.2 m)

## Beam Overall:

12 ft 4 in (3.75 m)

## Lightship Weight:

5,544 kg

## Payload:

2,742 kg

## Standard Engines:

Yamaha Outboard 2x350 HP

## Max Speed:

50 knots

## Max Power Allowed:

2x450 HP

## Max Fuel Capacity:

298 US gal (1,130 l)

## Max No. of Pax:

22 persons

## Airtight Compartments:

9

## Buoyancy Tube Fabrics:

Hypalon 1670 DTEX

## Hull and Deck Materials:

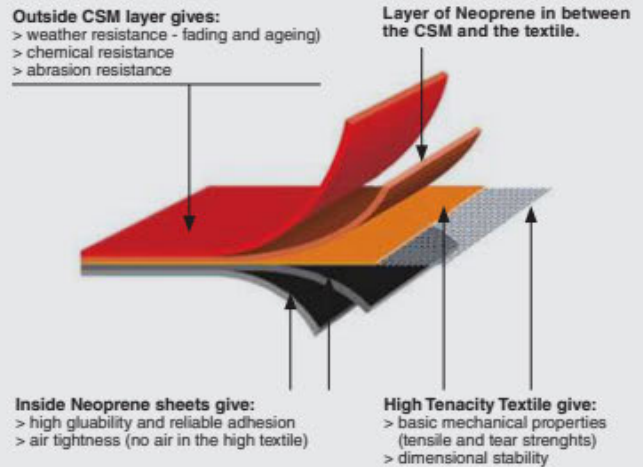
GRP

## Classification: (CE Approval)

B

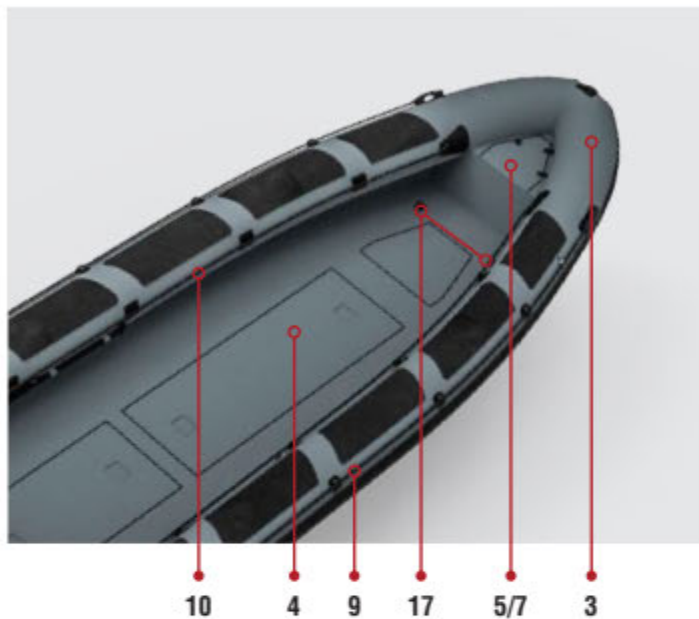
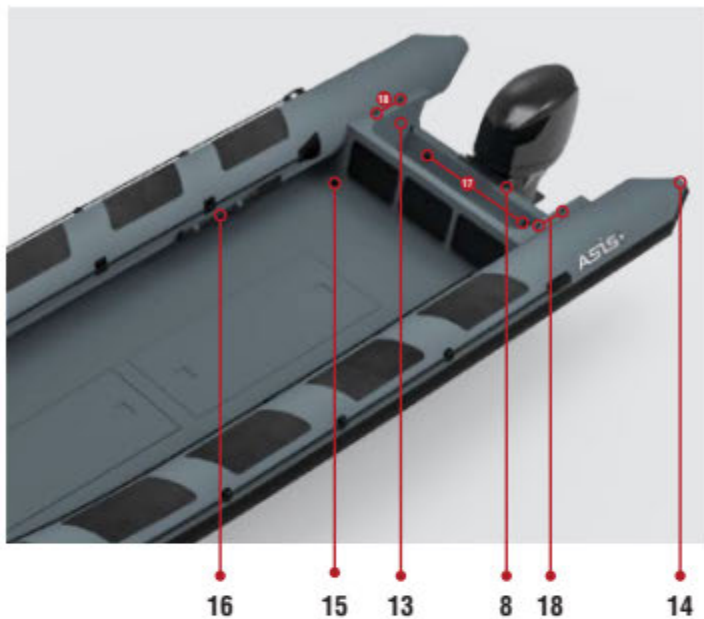
## \*\*HYPALON COLLAR

ASIS uses the finest quality material to manufacture and produce all of its products. Only Hypalon™ is used in the manufacture of the ASIS tube.



RIB 12 Series

# Standard Equipment



#	STANDARD EQUIPMENT
1	Heavy Duty Structure
2	Custom Color Fiberglass
3	Tube Material Heavy Duty Hypalon 1670 DTEX
4	Under-Deck Storage 3Nos
5	Anchor Locker
6	Bow U Bolt 1No. & Towing Rings 2Nos.
7	Stainless Steel Eye Nut Inside The Anchor Box
8	Stainless Steel Transom Strip
9	External Safety Rope Grab Line
10	Internal Safety Rope Grab Line
11	Large Profile All-Around Double or Triple Rubbing Strake
12	Moulded Handles 4Nos.

#	STANDARD EQUIPMENT
13	Engine Pit
14	Reinforced Cone Ends 2Nos.
15	Self Draining Deck
16	Paddles 2Nos.
17	S.S Heavy Duty Lifting Points (2Nos. on Front & 2Nos. on Back)
18	Stainless Steel Base Pin Connection for A Frame
	• Stainless Steel 316L Fuel Tank with Gauge and Sender
	• Air Pump
	• Repair Kit
	• Automatic Bilge Pumps 2Nos. with Float Switch
	• Navigation and Anchor Light
	• Switch Panel

RIB 12 Series

# CE Certification

Job Id: **341.3-000633-1**  
Report No: **RCDA100001KT**

## APPENDIX

The product is found to comply with the following product information

Type designation:	<b>ASIS Professional 12 m RHIB</b>
Type of craft:	RIB
Model code*:	AE-SOLC120
Length of hull (Lh), m:	10.79
Beam of hull (Bh), m:	3.77
Draft (sailing boats), m:	

\*First characters of the WIN code.

Design category:	B
Maximum number of persons, CL:	15
Maximum engine power, prop. shaft, kW:	782.98
Maximum load (m <sub>MTL</sub> ), kg:	1915
Maximum load as stated on Builder's Plate, kg: (Including outboard engine)	1915

Based on the following documentation  
Test report(s):

NPS Job ID 341.3-000633-1 dated 2019-02-22

# Configuration Samples

Transporter



RIB 12 Series

# Configuration Samples

Military, Anti-Piracy



RIB 12 Series



*Smart Own*

**From Dubai to the World**

[www.smartown.ae](http://www.smartown.ae) | [info@smartown.ae](mailto:info@smartown.ae) | +971 4 4438970

